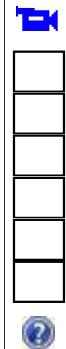
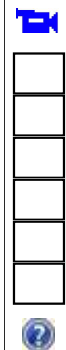
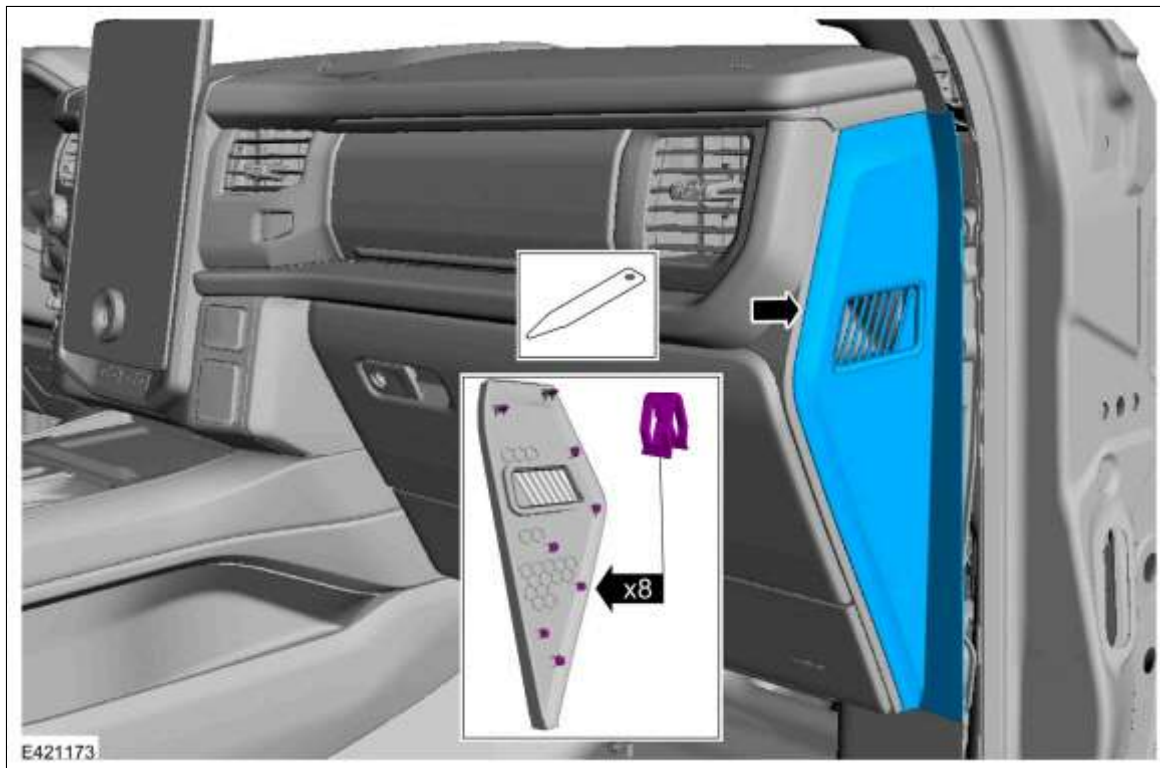


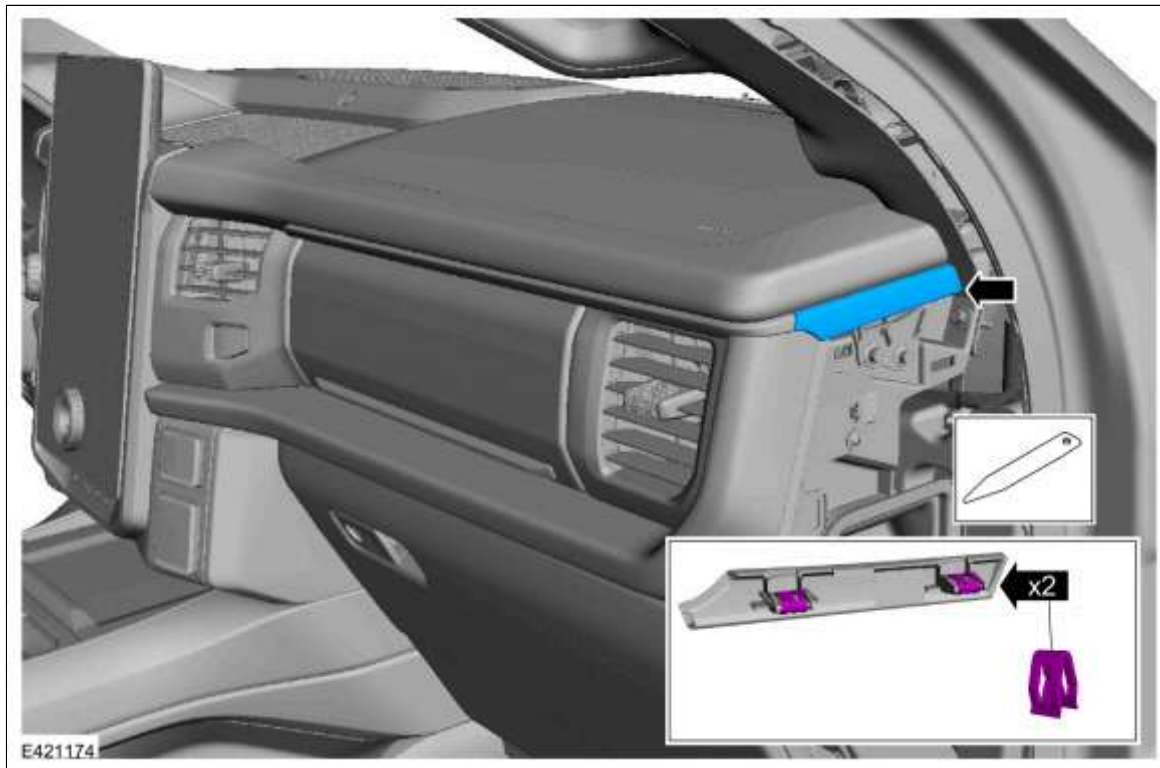
4. Remove the bolts.
Torque: 106 lb.in (12 Nm)



5. Release the clips and remove the RH instrument panel trim panel.
Use the General Equipment: Interior Trim Remover



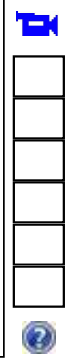
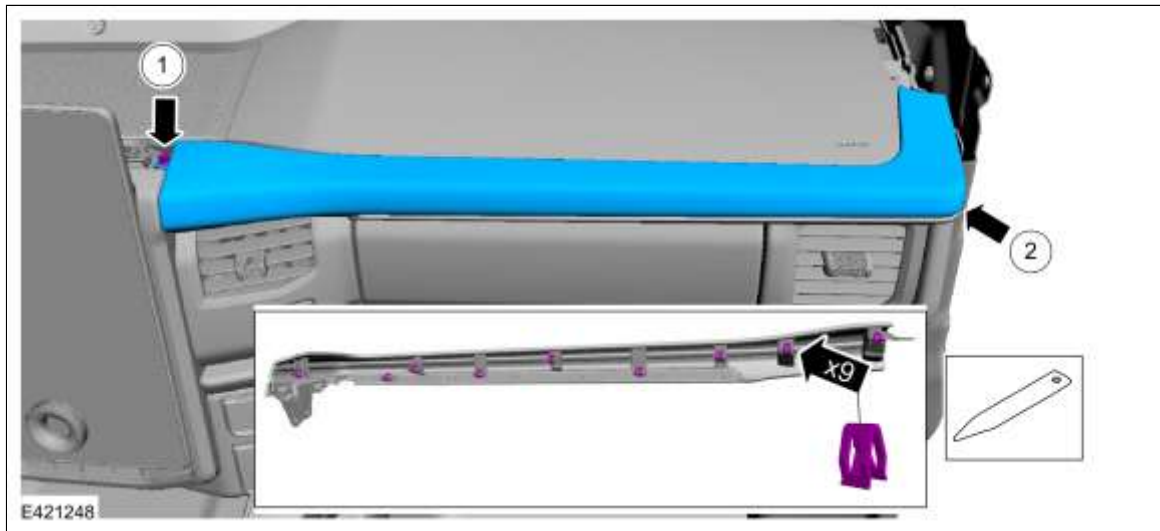
6. Release the clips and remove the instrument panel trim panel.
Use the General Equipment: Interior Trim Remover



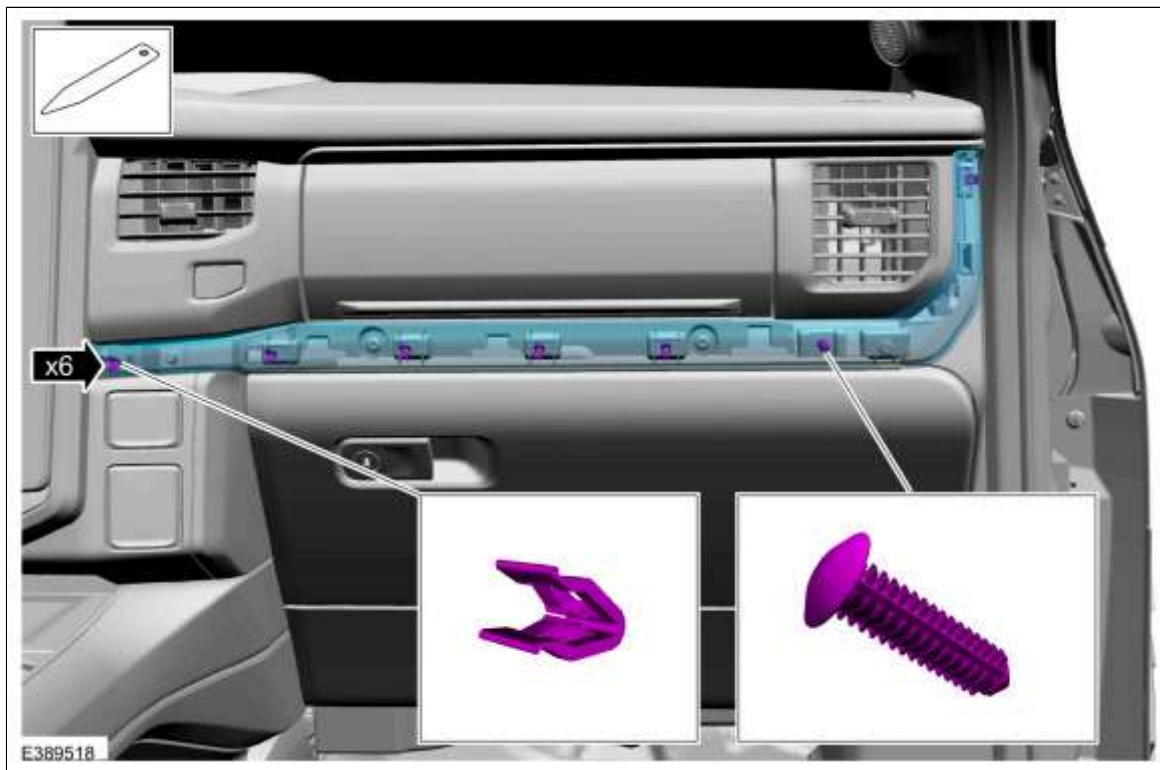
7. Remove the screws.
Torque: 22 lb.in (2.5 Nm)



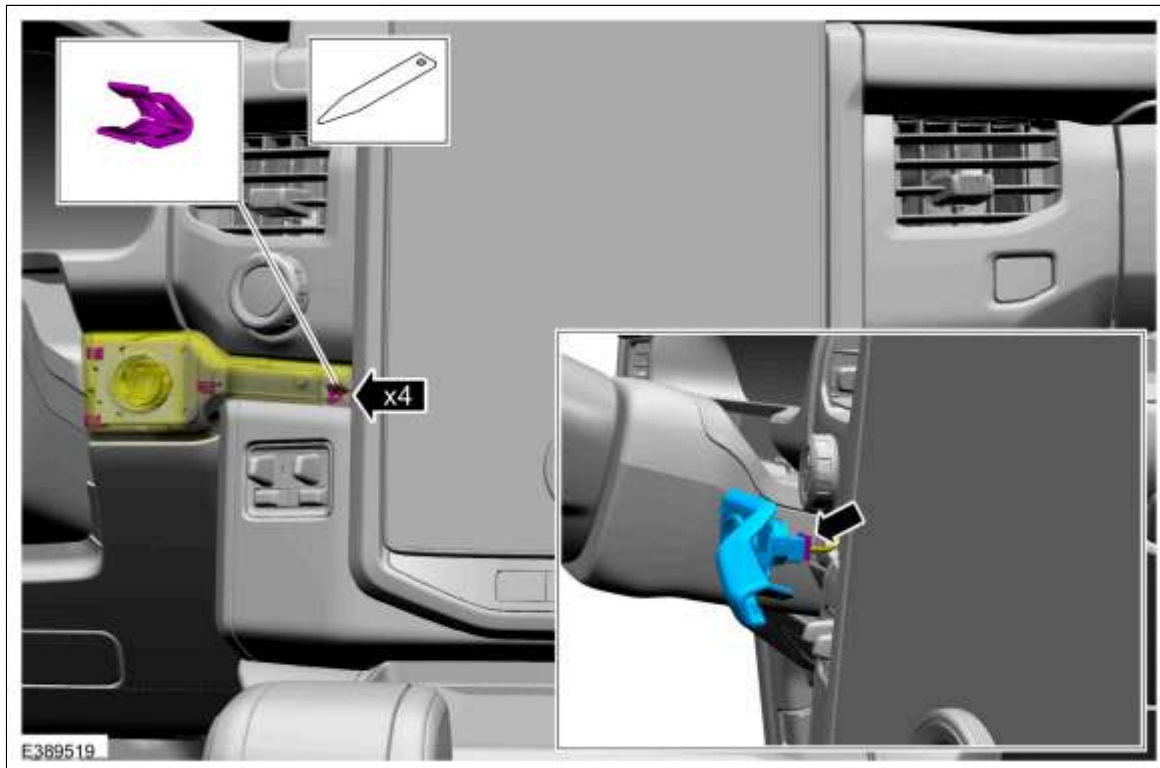
8.
 1. Remove the screws.
Torque: 22 lb.in (2.5 Nm)
 2. Release the clips and remove the upper RH instrument panel trim panel.



9. Release the clips, separate the trim pin, and remove the RH instrument panel trim panel.
Use the General Equipment: Interior Trim Remover



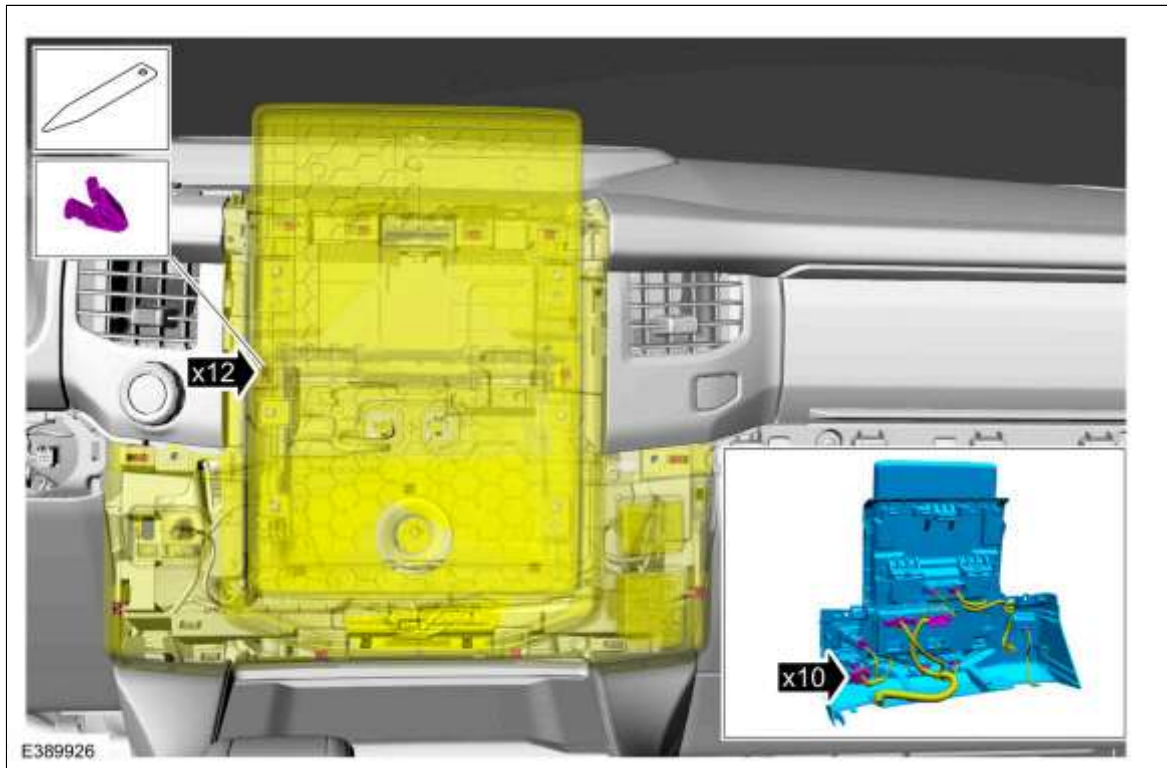
10. Release the clips, position the start/stop switch bezel, disconnect the electrical connector and remove the start/stop switch bezel.
Use the General Equipment: Interior Trim Remover



11. Remove the screws.
Torque: 22 lb.in (2.5 Nm)



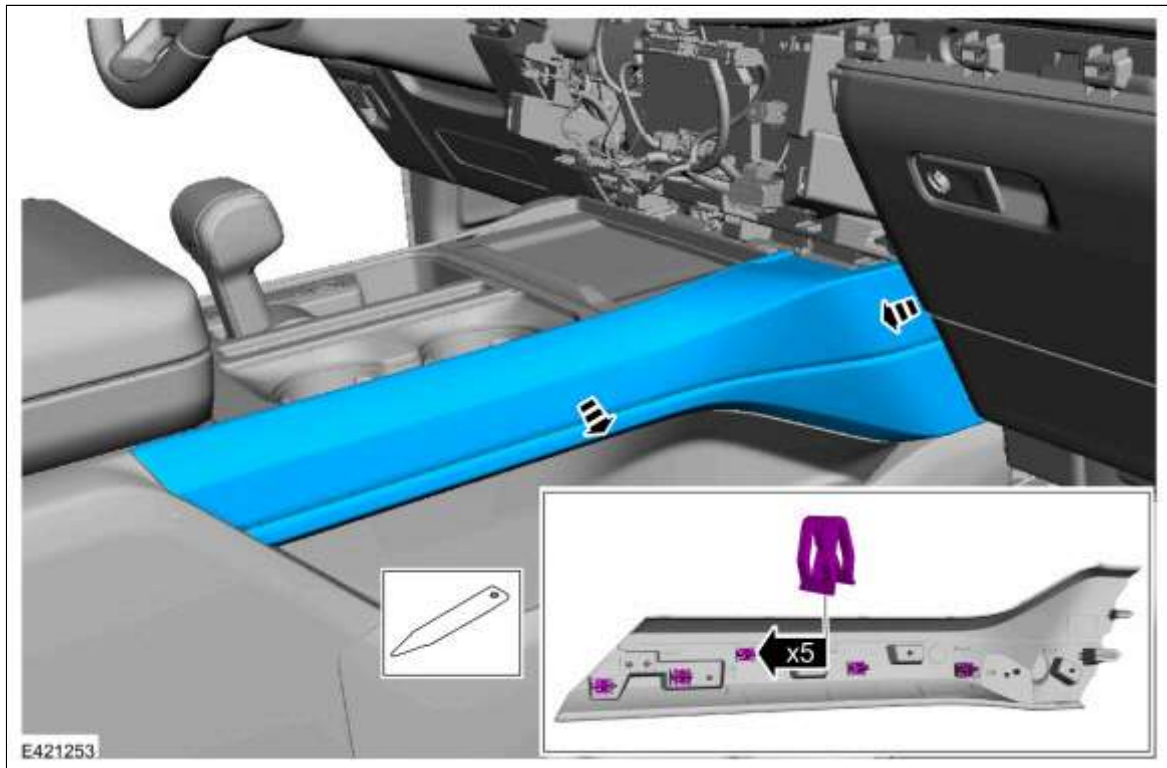
12. Release the clips, disconnect the electrical connectors and remove the centerstack assembly.
 Use the General Equipment: Interior Trim Remover



13. Release the clips and remove the floor console upper LH trim panel.
Use the General Equipment: Interior Trim Remover

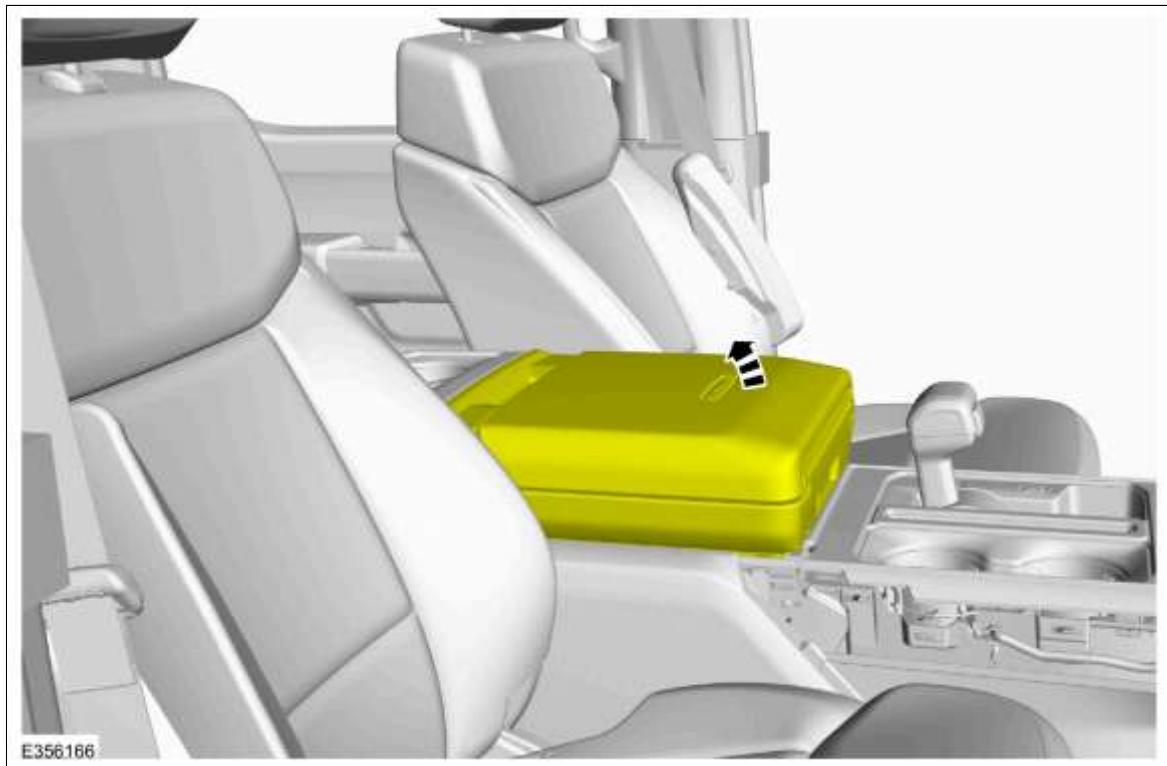


14. Release the clips and remove the floor console upper RH trim panel.
Use the General Equipment: Interior Trim Remover



All vehicles

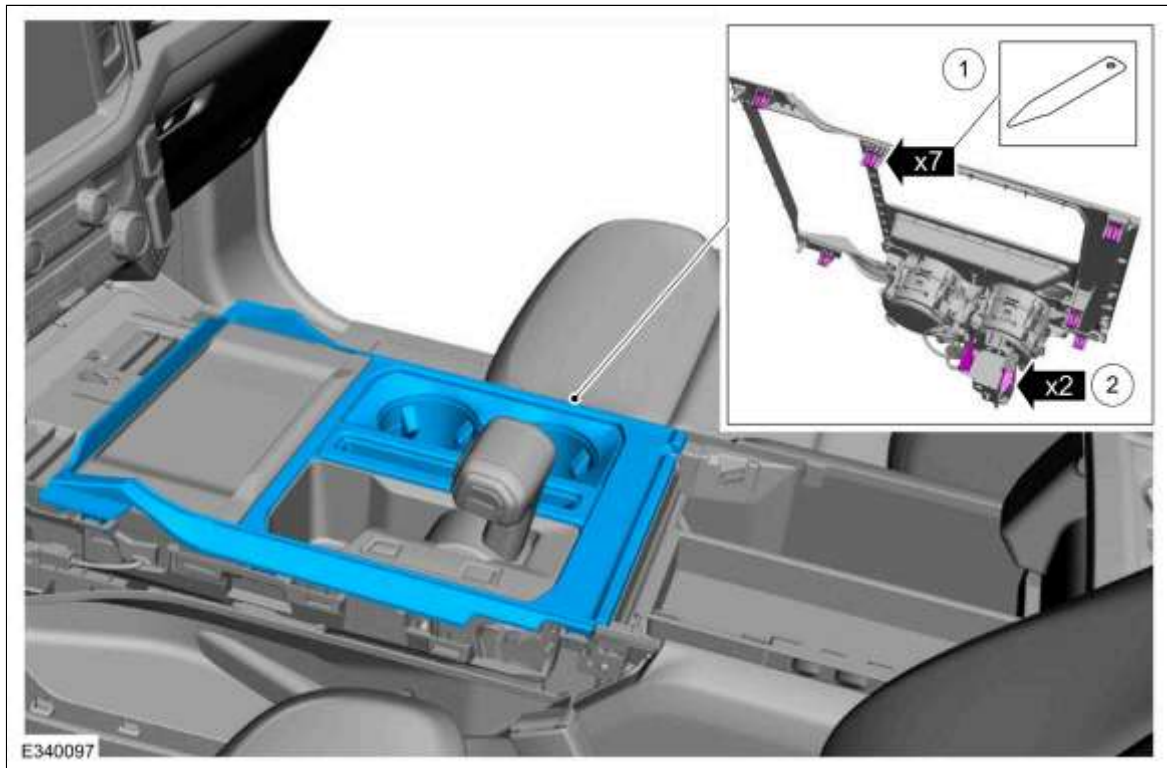
15. Open the floor console door.



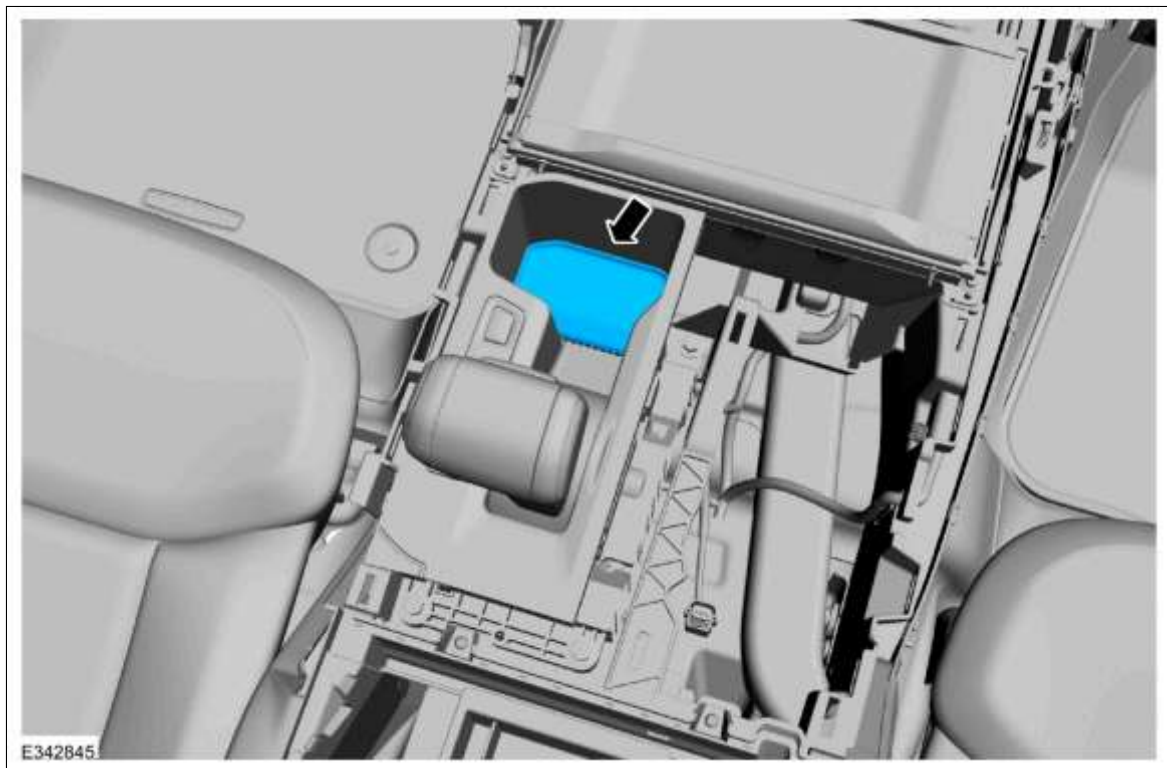
16.

Remove the floor console top trim panel.

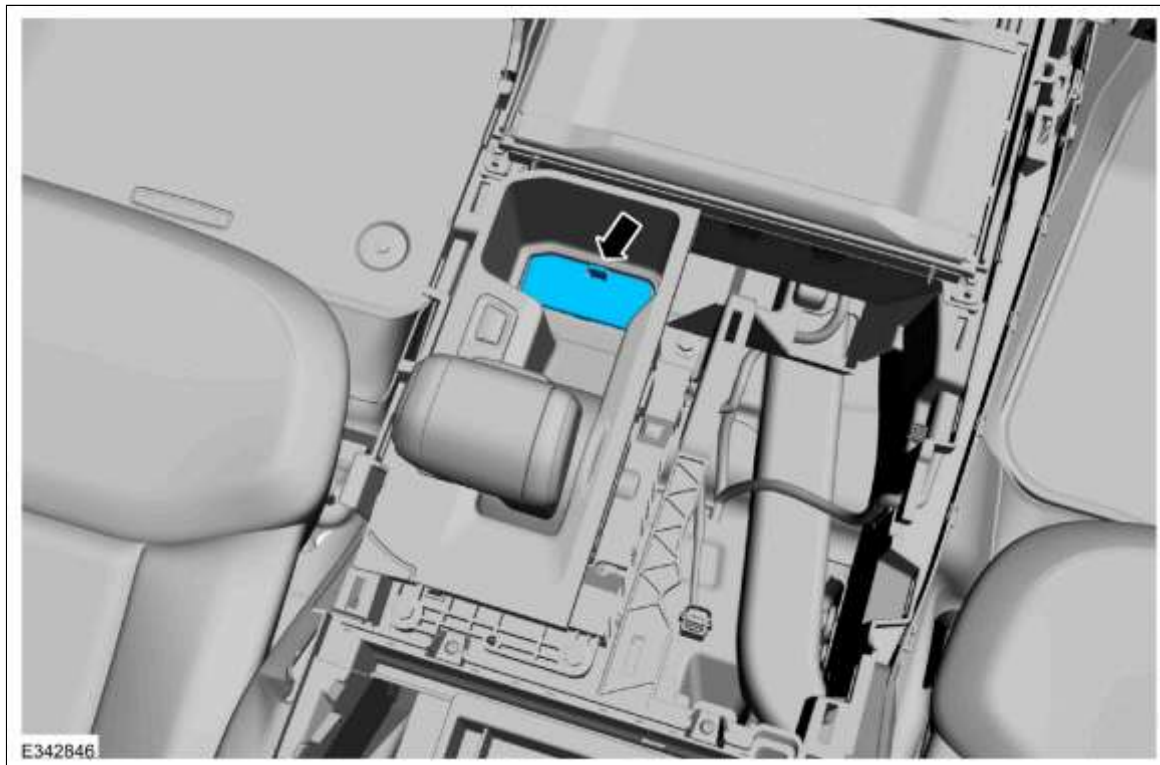
1. Release the clips and detach the top floor console trim panel.
Use the General Equipment: Interior Trim Remover
2. Disconnect the electrical connectors and remove the top floor console trim panel.



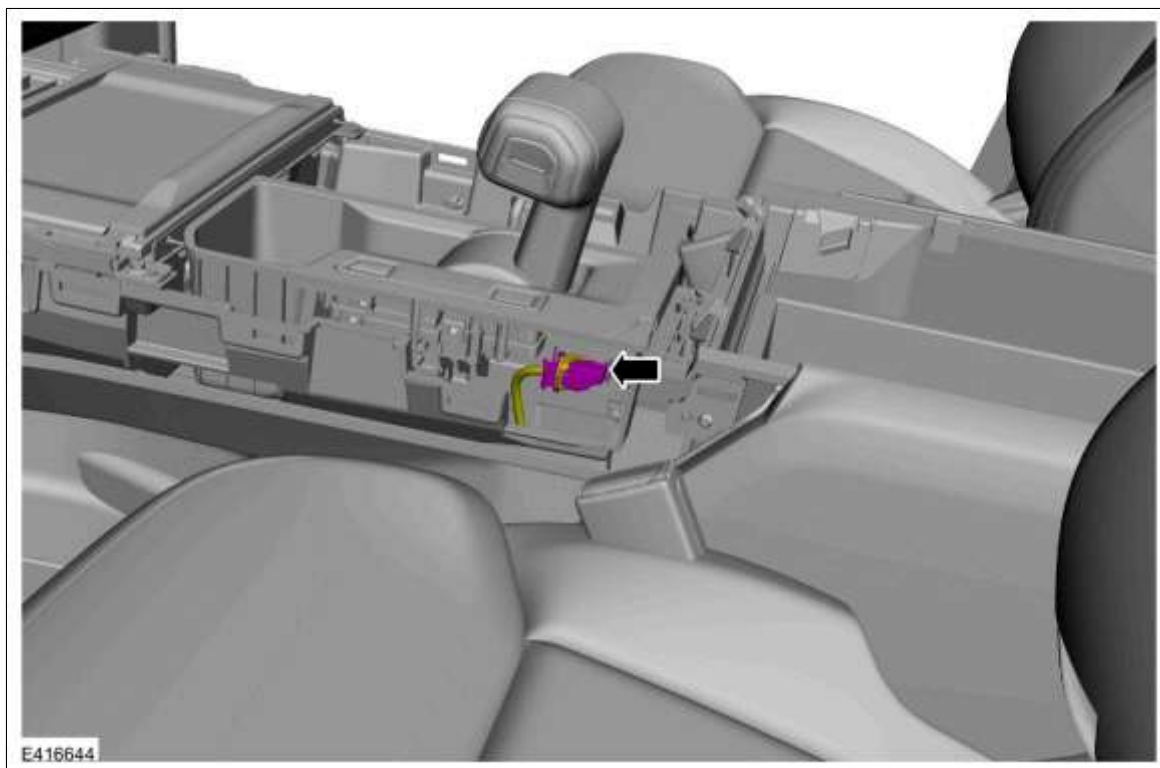
17. Remove the GSM stow mat.



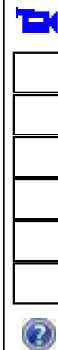
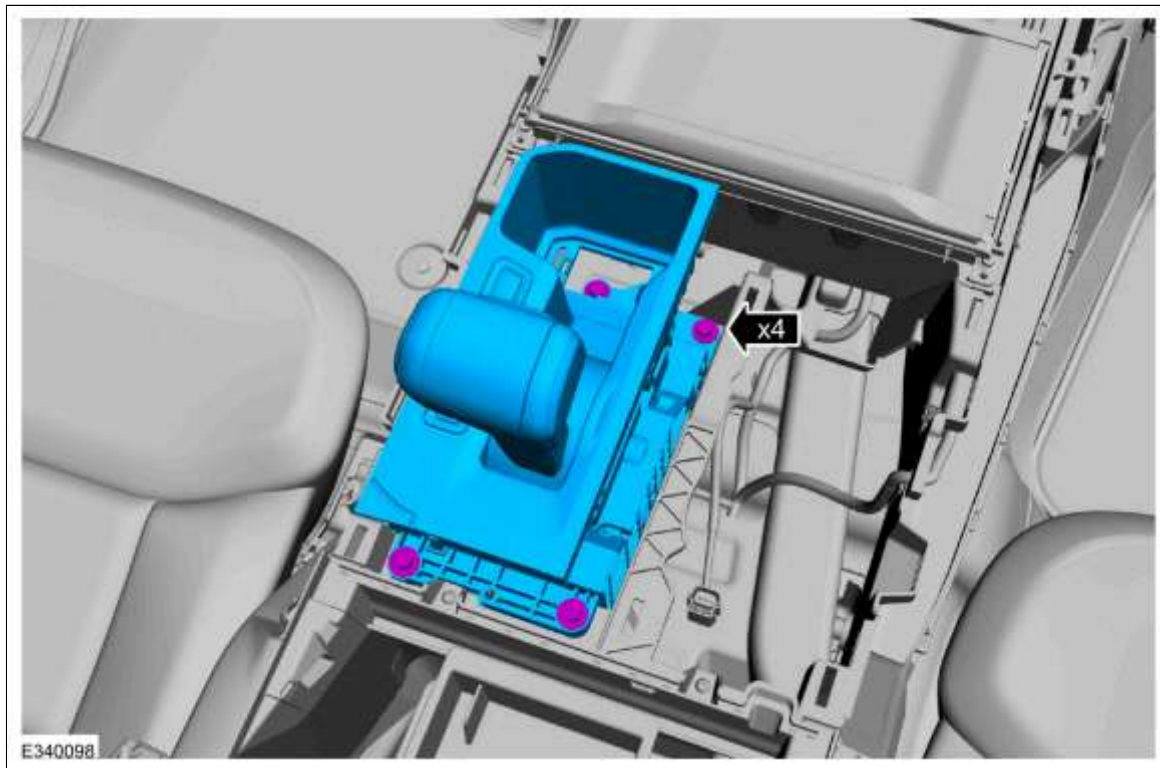
18. Remove the GSM bolt access panel.



19. Disconnect the GSM electrical connector.



20. Remove the bolts and the GSM .
Torque: 40 lb.in (4.5 Nm)



Installation

1. To install, reverse the removal procedure.
2. **NOTE:** *This step is only necessary when installing a new component.*

Using the scan tool, carryout the PMI procedure to install the latest strategy files.
Refer to: Module Programming (418-01) .

© Copyright 2025, Ford Motor Company.